

# Recommendations for the Installation of PROFAB ACCESS Steel Doorset's

Exova Warrington Certificate



Contact Details:  
Tel: +44 (0) 1827 718 222  
Web: Profabaccess.com

RK Feb 2017 Rev A

Profab Access Ltd  
Unit C & D, Riversdale House  
Riversdale Road, Carlyon Road Ind Est  
Atherstone, Warwickshire  
UK, CV9 1FA

## Contents

<b>Handling, storage &amp; protection</b>	<b>P3</b>
<b>Handling</b>	<b>P3</b>
<b>Storage</b>	<b>P3</b>
<b>Protection</b>	<b>P3</b>
<b>Before You Start</b>	<b>P4</b>
<b>Opening</b>	<b>P4</b>
<b>Installation</b>	<b>P4</b>
<b>Clearances</b>	<b>P4</b>
<b>Adjusting Door Sizes</b>	<b>P4</b>
<b>Apertures</b>	<b>P5</b>
<b>Frame Packer Materials Requirements</b>	<b>P5</b>
<b>Tools &amp; Components Required</b>	<b>P5</b>
<b>Doorset Installation</b>	<b>P5</b>
<b>Frame Assemble</b>	<b>P5</b>
<b>Installation</b>	<b>P6-7</b>
<b>Ironmongery</b>	<b>P8</b>
<b>Thresholds</b>	<b>P8</b>
<b>Mastic / Silicone Seals</b>	<b>P9</b>
<b>Door Finishes</b>	<b>P9</b>
<b>Fixings</b>	<b>P9</b>
<b>Contact Details</b>	<b>P9</b>

## Handling, storage & protection

### Handling

- Profab Access Ltd doors are a high quality product and therefore require an appropriate level of protection on site; we recommend the packaging should not be removed until immediately before the doorset's are ready to be installed. Our products are late second fix items.
- Our products can be heavy and difficult to manoeuvre, so please take extra care to avoid damage to the product and prevent injury to site personnel, always work in accordance with sites manual handling policy.
- Our product is a Minimum 2 person lift, in some cases a 4 person lift may be required for large door leaves or sports hall doors.
- Our products are designed for forklift truck off-loading and will be supplied wrapped in stacks for ease of distribution.

### Storage

The correct storage conditions of Profab Access Ltd products is essential to ensure the product performs and appears as specified. Storage and protection of the products on site is the responsibility of the contractor. Profab Access Ltd products should be stored close to the final installation area or in a location with limited access and traffic.

- Store close to the installation area.
- Stack doors/doorset's horizontally on 3 to 4 level bearers with bearers between the doors.
- Product should never be stacked straight on the floor.
- Product should never be stacked more than 6 high.
- When restacking door leaves please ensure hinge knuckles or any other projecting ironmongery is clear of the adjacent door face. Re-use the bearers supplied.

### DO NOT

- Store on door/frame edge.
- Store directly on the floor.
- Store near heaters.
- Stack product against walls.
- Store other product on top of the stored doors.

### Protection

Our doorset's are supplied with installed Protek protection and is applied to allow the door to function after installation. The product is then wrapped in shrink wrap to protect the product during transportation. It is recommended that a box knife is used to remove the transport protection as an open blade may scratch/damage the product.

It is essential to protect the doorset's after they are installed until the handover of the building, our products are late second fix items but other trades will still be passing through the doorways. It is advised that the Protek be removed after installation to check the door and then reapplied until the time of hand over.

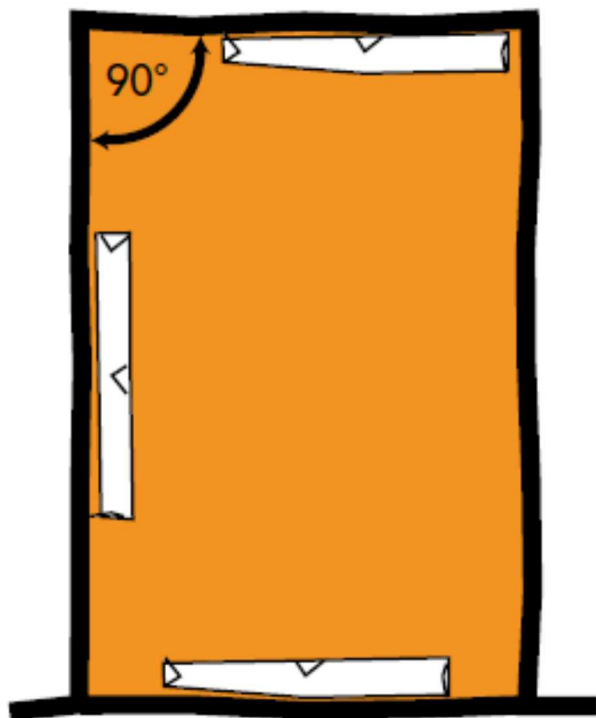
Protek will protect the door facings and will give basic protection from paint and dirt etc, the protek will not protect the doors from impacts and it is the responsibility of the contractor's to assess the level of protection required for the doorset's and provide it. When reapplying the Protek or applying other types of protection a low tack adhesive tape should be used, do not use any form of packing tape or duck types of tape as this may damage the powder coating finish and mark the doorset's.

Additional low tack tape can be purchased from Profab Access Ltd.

**Before you start**

**Opening**

• Make sure that you have the correct doorset in relation to the opening in which it is going to be installed; each product has a unique reference located on the label (Door Number), which links with the contract drawings and schedules.



- Check the structural opening is plumb and level before you start installation. Our product is designed to allow for an opening to be no greater than 5mm out of square.
- Before removing the packaging check that the overall dimensions of the doorset will fit the opening it is intended for, if correct remove the transport packaging and take care to retain any loose items.
- Also within the packaging on fire rated doorset's you will find the product data sheet which gives the capabilities of the doorset and what you can and cannot do to the product. This is also explained within this guide.

**Installation**

**Clearances**

The following clearances should be achieved around door leaves when closed to comply with fire certification and for the product to function correctly.

- Frame to door leaf gap = 4mm maximum (Manufactured to allow 3mm).
- Meeting stile gap on pairs = 5mm maximum (Manufactured to allow 4mm).
- Bottom of door to finished floor covering = 19mm maximum (Manufactured to allow 8mm).
- Structural opening to frame gap = 5mm allowance, for maximum tolerance please refer to the fire mastic that is being used.

Cold Smoke, if the doorset has a requirement for cold smoke and no threshold is present the maximum gap permitted under BS476: Part 31 is 3mm.

**Adjusting door sizes**

All of our doors are made to measure and cannot be cut down / adjusted, it is recommended that the structural openings are measure prior to the doorset's being manufactured.

## Apertures

No site cutting of apertures or louvres is permitted, all apertures are factory prepared and glazed.

## Frame Packer Materials Requirements

Profab Access Ltd supply two main types of frame, adjustable and non-adjustable. Adjustable frames do not require any form of additional packers and have a threaded socket that is used to adjust the frame in and out.

Non-adjustable frames have a 4mm metal strap that requires packers to set the frame to the required gap.

- Non Fire rated - Any type of Plastic, Timber or Metal packers.
- Fire Rated – Only steel packers may be used, the packers are required to be 20mm narrower than the frame width and be in contact with the frame return on either side. These should be positioned at each fixing point.

## Tools & Components Required

- Installation Kit (Supplied by Profab Access Ltd, includes long reach 5mm steel bit, long reach 6mm masonry bit, adjustable fixing key (if applicable)
- Battery or mains drill/driver. (Suitable for masonry wall if applicable)
- Adjustable spanner and basic hand tools.
- Long and medium length spirit level.
- Frame packers (if applicable)

## Doorset installation

### Frame Assembly

All frames are supplied in a knockdown form and require assembly before the doorset can be installed. Attach the jambs to the head following the below steps.

- Push the two jamb locating tabs through the slits in the frame head. Fig 1

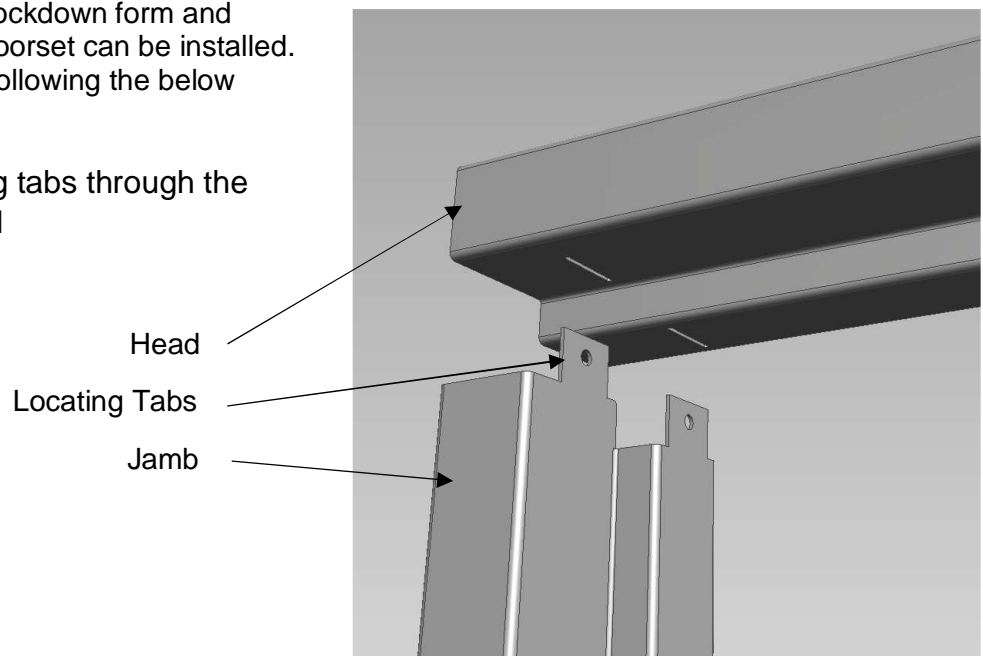


Fig 1

- Once the jamb locating tabs are through the holes in the frame head and using the M5 dome head screws provided fix the jambs to the head. Fig 2

Jamb locating tabs  
Insert screw

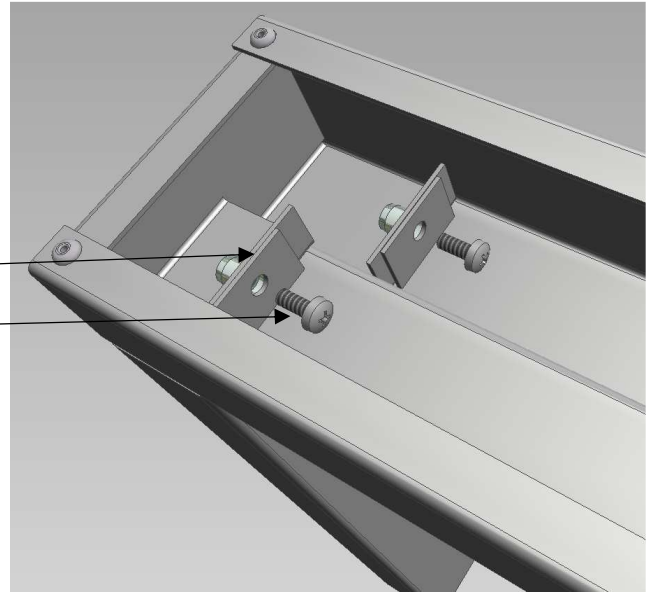


Fig 2

### Installation

Some products supplied come with a Capping channels, this is supplied to add extra security to the products, add these to the jambs before the frames are inserted into the opening.

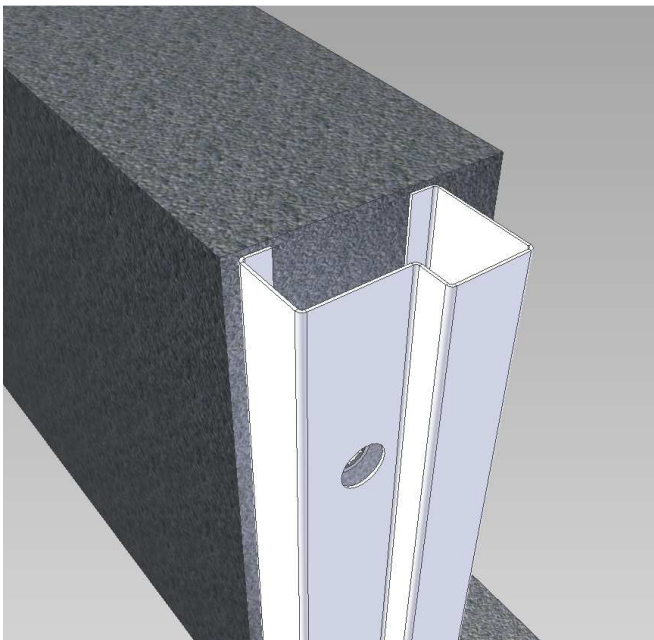


Fig 3

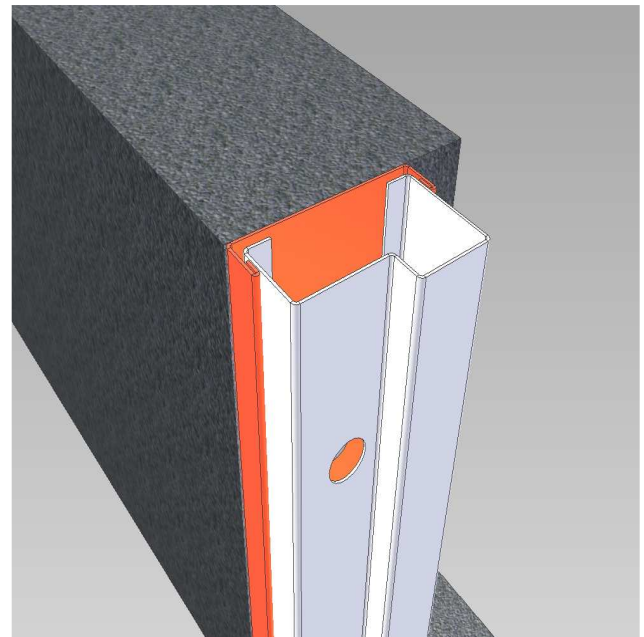


Fig 4

- Frame without Capping Channels, Fig 3
- Frame with Capping Channels, Fig 4



- 1, Position the frame within the opening, fix the hinge jamb (choose 1 side on a double doorset) using the top and bottom fixing points. Ensure the jamb is level and plumb. Position the hinge jamb using the adjustable fixings or frame packers ensuring the tolerance between the frame and structural opening is equal on both sides.
- 2, Attach the/a door leaf to the hinge jamb and swing the door. Ensure the door leaf does not catch the floor when the leaf swings open.
- 3, Single doorset's, using the adjustable fixings or packers position the lock jamb and fix using to top and bottom fixing points.

Double doorset's, Fix the opposite hinge jamb using the top and bottom fixing point, hang the door leaf and adjust.

- 4, Adjust the frame /door if required to ensure equal gaps between the door leaf and frame, ensure all ironmongery functions correctly. Fig 5

(Use the "T" bar key provided to adjust the adjustable fixings)

- 5, Install the remaining fixings and re-check all ironmongery functions correctly. Please ensure all fixing points are used.
- 6, Insert the fixing caps to cover the fixing hole within the frame. Fig 6

The Fixings cap may need removing before installation or they can be found in the misc parts box.

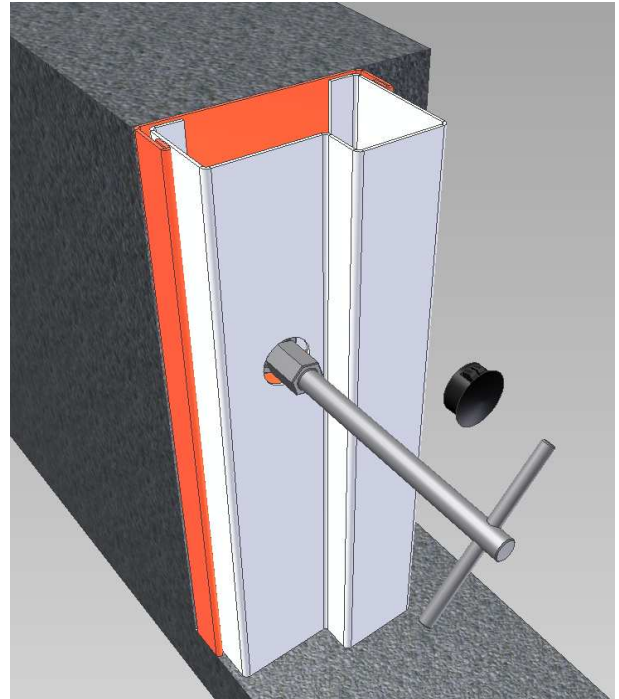


Fig 5

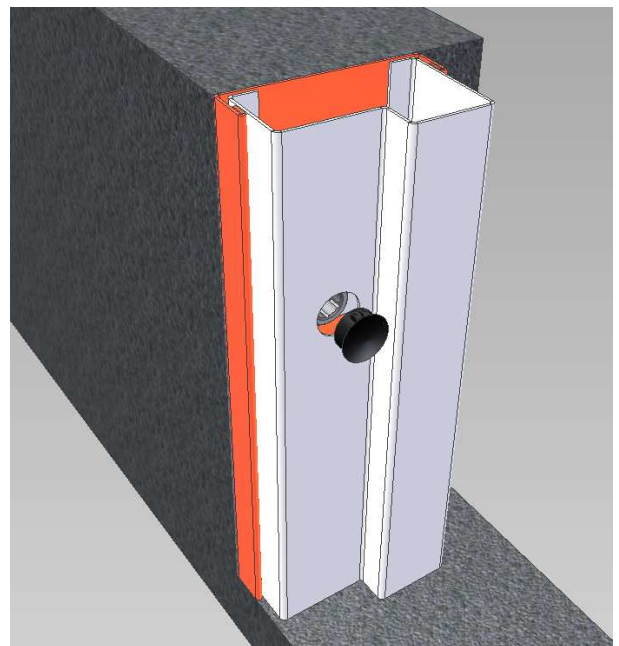


Fig 6

### Ironmongery

- Door closers, the main body of the door closer will be installed to the door leaf, the closer arm will be sent loose and will be located in the misc parts box. Fix the closer arm to the main body of the closer and attach the opposite end to the frame. Please refer to the closer manufacturer's instructions for correct position and installation of the arm. These instructions will also offer guidance on how to set/adjust the closer settings.
- Limit stay, the limit stay will be installed to the door leaf, attached the opposite end of the limit to the frame once the doorset has been installed.
- Panic Bars, all components of a panic bar will be installed apart from the floor keep/guide if applicable. The keep can be located in the misc parts box. The floor keep/guide will need installing on the threshold or finished floor dependent on the threshold detail.
- Flush Bolts, A hole within the threshold or FFL will be required to allow the bottom flush bolt to through. If a threshold is specified drill a simple hole the required size within the threshold. Where there is no threshold the use of an easy clean type of floor socket can be used, recess the required hole within the floor finish and install.
- For any other special ironmongery items all additional instructions component specific instructions will be supplied and can be found in the parts box.

### Thresholds

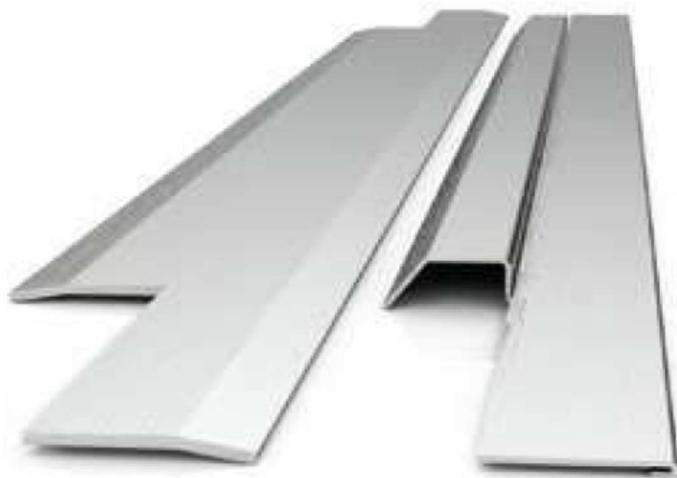


Fig 7

- Some threshold may need a notch cutting at either end around the rebate of the frame. All thresholds are installed between the jambs of the frame. Fig 7
- All thresholds should be bed on a silicone/mastic sealant to eliminate any moisture, water or sound penetrating under the threshold.
- It is also recommended that a small bead of mastic be applied between the threshold and the jamb.



**Mastic/Silicone seals**

- Non Fire rated doorset's, it is advised that a mastic or silicone sealant is applied around the perimeter of the frame. Any type of Mastic, silicone sealant can be used dependent on the client's requirements.
- Fire Rated doorset's, it is essential for a fire rated mastic be applied to the perimeter of the frame. The fire rated mastic should have a fire rating to match that of the doorset. Fire rated foams can be used and it is advised that this be capped with a fire rated mastic for decorative reasons.
- If using foam it is advised that the frame / powder coat finish is protected during the application.

Ensure that as well as the mastic or foam matching the fire rating of the doorset it should also be certificated to be used on a steel/metal doorset, if in doubt please contact the manufacturers of the product.

**Door Finishes**

All doors supplied have a powder coat finish which is suitable for internal and external use. In some situation there may be a requirement for the product to be painted on site. The doorset will always be supplied powder coated and will act as a primer. It is advised that the powder coat finished be de-nibbed / sanded slightly to assist in keying the paint to the powder coat finish.


**Fixings**

For masonry or concrete, doorset's to be installed using a minimum M6 steel anchor fixings.

For plasterboard wall assemblies, doorset's to be installed using a minimum No 10 steel woodscrew.

**Contact Details**


**Sales / Technical Enquiries**


 +44 (0) 1827 719 051

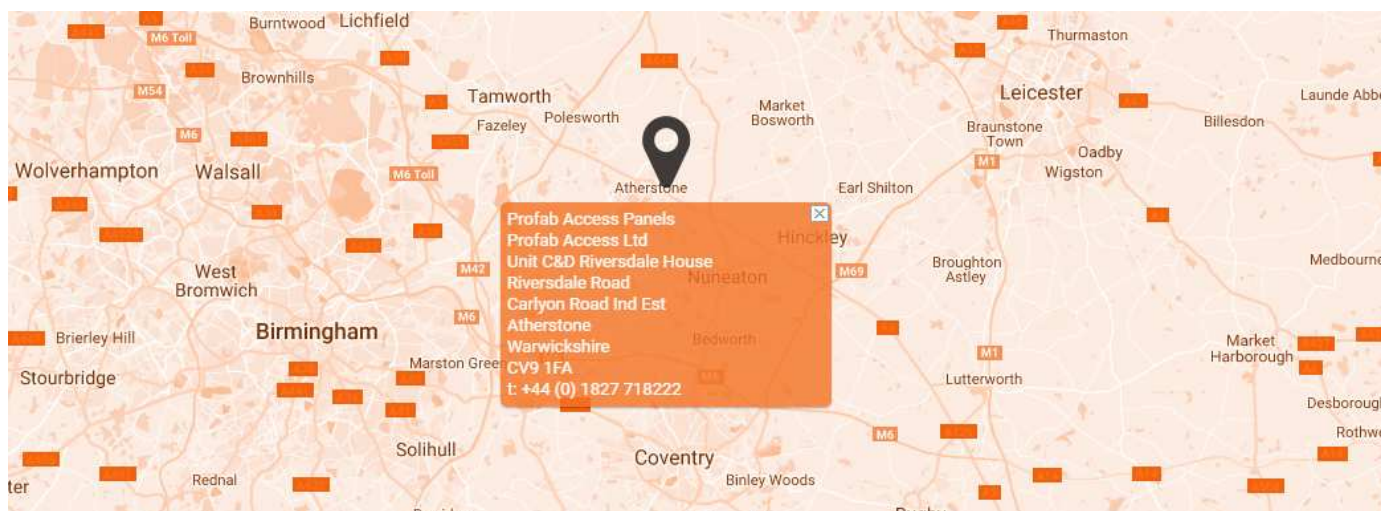
 [technical@profabaccess.com](mailto:technical@profabaccess.com)

**Connect With Us**

 [profabsteeldoors.com](http://profabsteeldoors.com)

 [profabaccesspanels](https://www.facebook.com/profabaccesspanels)

 [@accesspanels](https://twitter.com/accesspanels)



Contact Details:  
Tel: +44 (0) 1827 718 222  
Web: Profabaccess.com

Profab Access Ltd  
Unit C & D, Riversdale House  
Riversdale Road, Carlyon Road Ind Est  
Atherstone, Warwickshire  
UK, CV9 1FA



Exova Warrington Certificate



Contact Details:  
Tel: +44 (0) 1827 718 222  
Web: Profabaccess.com

RK Feb 2017 Rev A

Profab Access Ltd  
Unit C & D, Riversdale House  
Riversdale Road, Carlyon Road Ind Est  
Atherstone, Warwickshire  
UK, CV9 1FA